

# WEATHER CENTER BASE BOLT INSTALLATION INSTRUCTIONS

STEP 1: THREAD THE NUT ONTO THE EYEBOLT, AS DEPICTED IN FIGURE 1

STEP 2: ADD ONE (1) FENDER WASHER AND THEN THE SECOND NUT, AS DEPICTED IN FIGURE 2.

STEP 3a: USING A CONCRETE FORM AND THE RAIN MASTER PROVIDED TEMPLATE, SET THE BOLTS PRIOR TO POURING THE CONCRETE.

- OR -

STEP 3b: PRESS THE EYEBOLT INTO THE FRESHLY POURED CONCRETE UNTIL THE TOP OF THE WASHER IS FLUSH WITH THE TOP SURFACE OF THE CONCRETE, AS DEPICTED ON DRAWING PAGE 2.

STEP 4: REPEAT STEPS 1 THROUGH 3b FOR THE REMAINING THREE EYEBOLTS.

STEP 5: WHEN THE CONCRETE HAS SET, REMOVE THE TOP NUT AND ADD FIVE (5) ADDITIONAL FENDER WASHERS, AS DEPICTED IN FIGURE 3.

STEP 6: MOVE THE WEATHER CENTER BASE INTO POSITION. ADD THE FINAL FENDER WASHERS, AND SECURE THE ASSEMBLY WITH THE NUT REMOVED IN STEP 5.

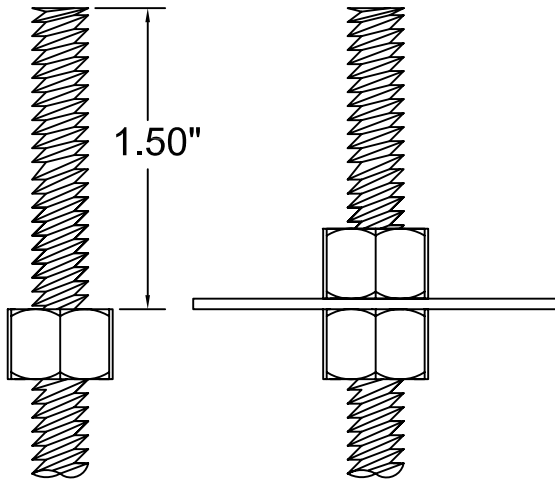


FIGURE 1

FIGURE 2

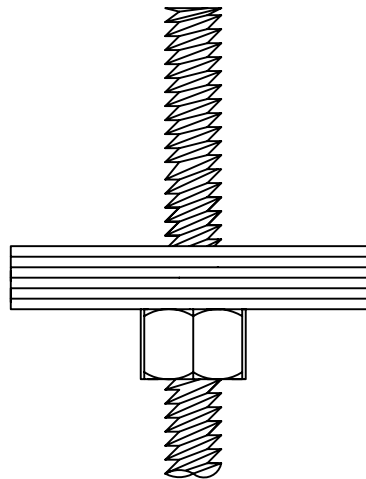


FIGURE 3

RAIN MASTER IRRIGATION SYSTEMS			
TITLE INSTRUCTIONS, BASE BOLT INSTALLATION			
A	ASY	DWG NO 020-0109	REV A
DWN	RAO	DATE 11-15-05	SHEET 1 OF 2