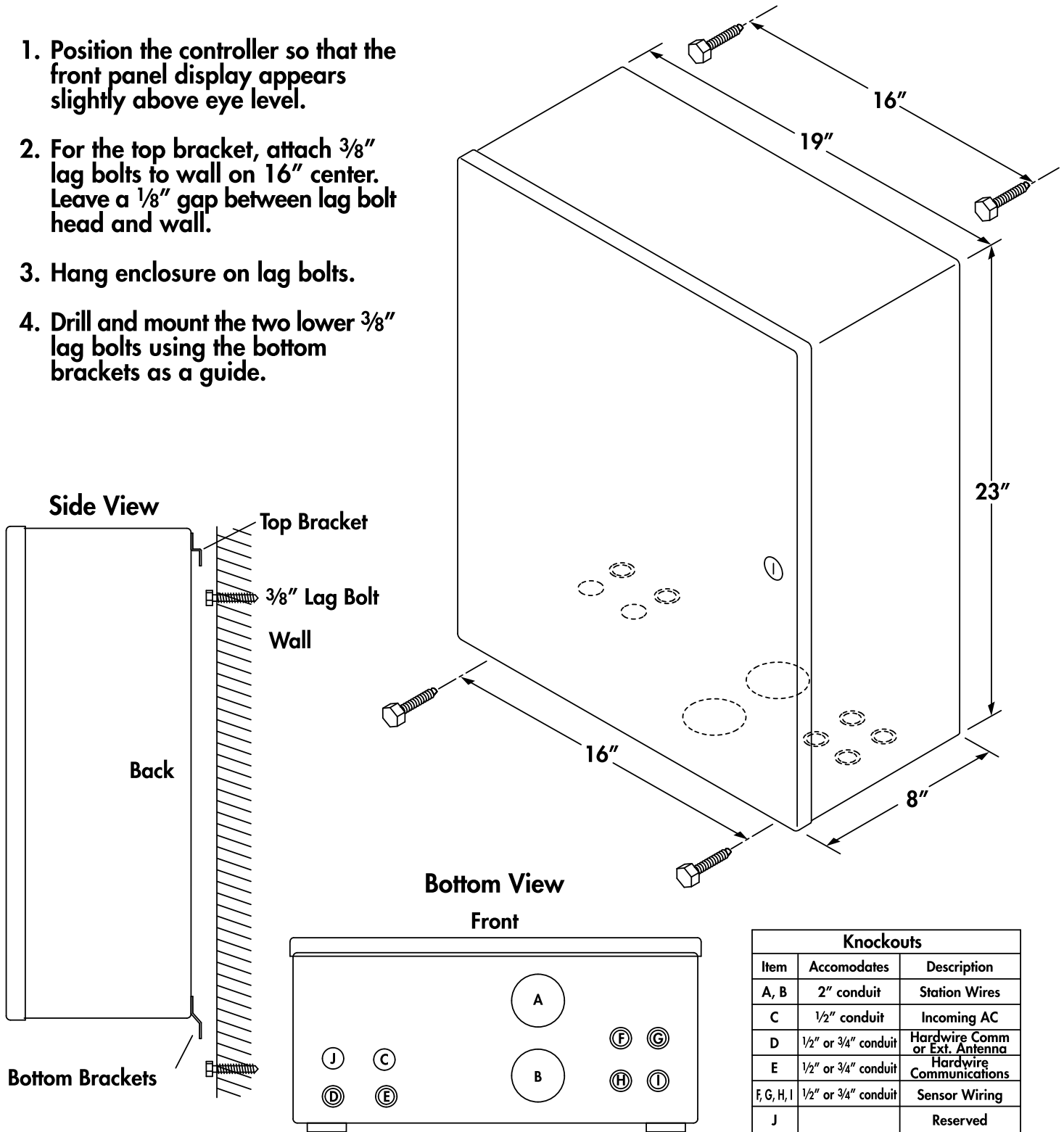


# Evolution DX2 Painted Steel Wall Mount Installation

1. Position the controller so that the front panel display appears slightly above eye level.
2. For the top bracket, attach  $\frac{3}{8}$ " lag bolts to wall on 16" center. Leave a  $\frac{1}{8}$ " gap between lag bolt head and wall.
3. Hang enclosure on lag bolts.
4. Drill and mount the two lower  $\frac{3}{8}$ " lag bolts using the bottom brackets as a guide.



RMIS Part No. 500505 Rev. A

*Rain Master is a technology-based, innovative, environmentally sensitive company dedicated to providing water management solutions to the irrigation industry.*



3910-B Royal Avenue,  
Simi Valley, CA 93063  
Ph: 805 527-4498 Fax: 805 527-2813